
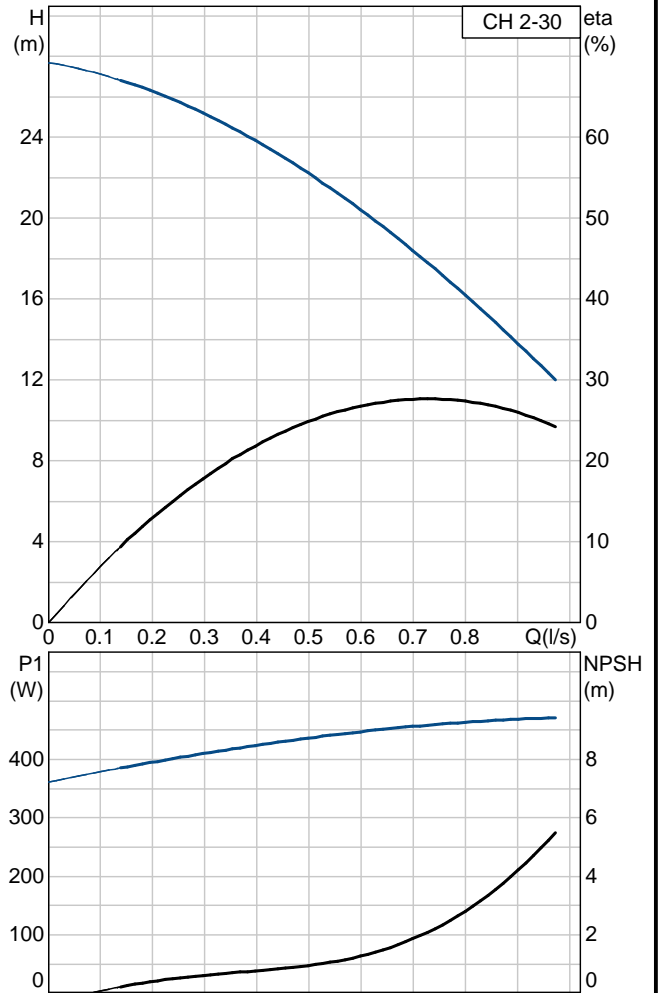
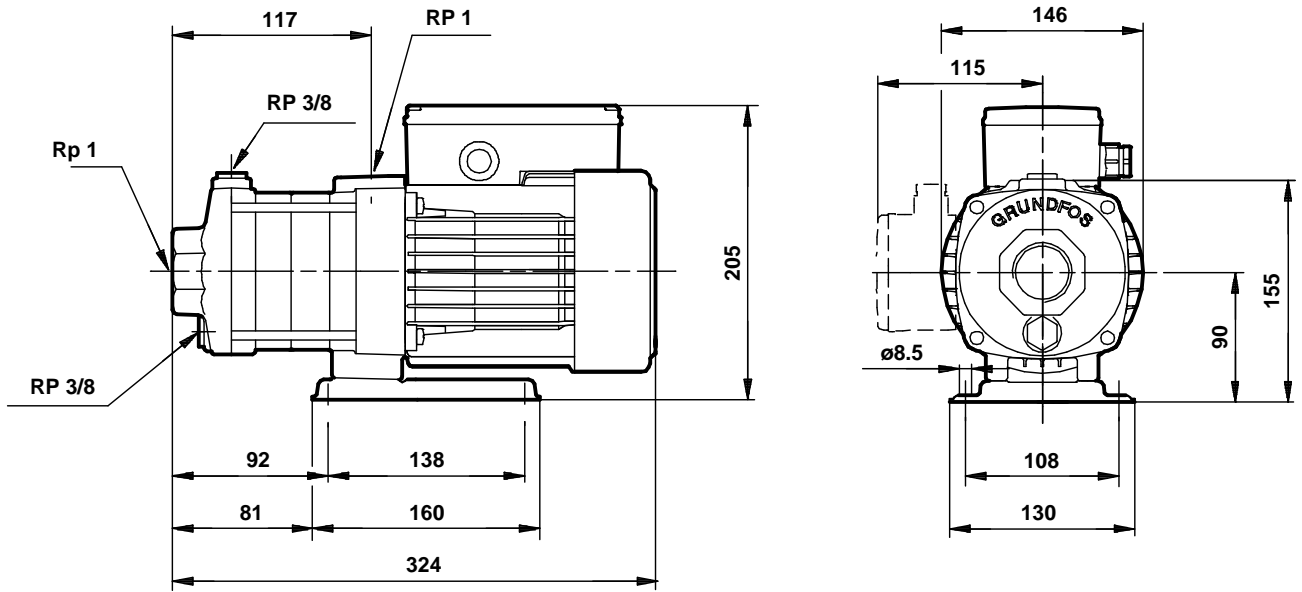


| Position | Qty. | Description | Single Price |
|----------|------|---|------------------|
| | 1 | <p>CH 2-30</p>  <p>Note! Product picture may differ from actual product</p> <p>Product No.: 43502103 Horizontal centrifugal multi-stage pump.</p> <p>Multi-stage centrifugal pump with axial suction port and radial discharge port close-coupled with a single-phase motor with thermal overload protection. Pump and motor are mounted on a common baseplate.</p> <p>The pump has a mechanical shaft seal.</p> <p>Impellers, intermediate chambers and shaft are made of stainless steel. Suction and discharge chambers are made of Cast iron.</p> <p>Liquid: Liquid temperature range: 0 .. 90 °C</p> <p>Technical: Rated flow: 0.6945 l/s Rated head: 18 m Type of shaft seal: CVBE Curve tolerance: ISO 9906 Annex A</p> <p>Materials: Material, pump housing: Cast iron EN-JL1030 DIN W.-Nr. 30 B ASTM Material, impeller: Stainless steel 1.4301 DIN W.-Nr. 304 AISI</p> <p>Installation: Range of ambient temperature: 0 .. 55 °C Max pressure at stated temp: 6 / 90 bar / °C 10 / 40 bar / °C Size, pump inlet: Rp 1 Size, pump outlet: Rp 1</p> <p>Electrical data: Motor type: MG71 Power input (P1): 480 W Mains frequency: 50 Hz Rated voltage: 1 x 220-240 V Rated current: 2.3 A Starting current: 10.5 A Capacitor size - run: 10 µF/400 V Enclosure class (IEC 34-5): IP54 Insulation class (IEC 85): F</p> <p>Others: Net weight: 9.6 kg Gross weight: 11.4 kg Shipping volume: 0.019 m³</p> | Price on request |

| Description | Value |
|-------------------------------|--|
| Product name: | CH 2-30 |
| Product No: | 43502103 |
| EAN number: | 5708601011405 |
| Technical: | |
| Rated flow: | 0.6945 l/s |
| Rated head: | 18 m |
| Head max: | 27 m |
| Type of shaft seal: | CVBE |
| Curve tolerance: | ISO 9906 Annex A |
| Pump version: | A |
| Model: | I |
| Materials: | |
| Material, pump housing: | Cast iron EN-JL1030 DIN W.-Nr. 30 B ASTM |
| Material, impeller: | Stainless steel 1.4301 DIN W.-Nr. 304 AISI |
| Material code: | A |
| Installation: | |
| Range of ambient temperature: | 0 .. 55 °C |
| Max pressure at stated temp: | 6 / 90 bar / °C 10 / 40 bar / °C |
| Size, pump inlet: | Rp 1 |
| Size, pump outlet: | Rp 1 |
| Liquid: | |
| Liquid temperature range: | 0 .. 90 °C |
| Electrical data: | |
| Motor type: | MG71 |
| Power input (P1): | 480 W |
| P2: | 280 W |
| Mains frequency: | 50 Hz |
| Rated voltage: | 1 x 220-240 V |
| Rated current: | 2.3 A |
| Starting current: | 10.5 A |
| Capacitor size - run: | 10 µF/400 V |
| Enclosure class (IEC 34-5): | IP54 |
| Insulation class (IEC 85): | F |
| Motor protec: | CONTACT |
| Thermal protec: | internal |
| Others: | |
| Net weight: | 9.6 kg |
| Gross weight: | 11.4 kg |
| Shipping volume: | 0.019 m ³ |



43502103 CH 2-30



Note! All units are in [mm] unless others are stated.